

TZ-JKP03E/TZ-JKP04E

Central Control Device

Datasheet



Overview

TZ-JKP01E and TZ-JKP02E central control device is developed according to the characteristics of auto tracking and targeting Water Cannon, which can match with ZDMS0.6/5S-TZ1S05 、 ZDMS0.6/5S-TZ1S05A 、 ZDMS0.6/10S-TZ1S10 、 ZDMS0.6/10S-TZ1S10A 、 ZDMS0.8/20S-TZ1S20 、 ZDMS0.8/30S-TZ1S3 、 PSKD8/20W-TZ1P20 、 PSKD8/30W-TZ1P30 water monitors. Central control device provides power supply for field control box, which can achieve fire alarm indication, fault indication, online communication, manual/auto state change control of linkage equipment and forced sprinkling system, and provide fire alarm signal to other fire alarm systems .

Central control device adopts a vertical cabinet or single piano table type case; UPS is used as power supply inside. The battery capacity is determined according to the number of water monitors. Operation panel includes one 9U panel and one 3U multi-wire panel. Terminals are provided behind central control device.

Features

- Each central control device can control 99 sets of TZ-SKX01E field control boxes at most. Each TZ-SKX01E field control box can control 8 small monitors at most (5L/S and 10L/S water monitors) or one water monitor (20L/S and 30L/S water monitors).
- CAN bus communication type is used to communicate with field control box.
- There are three work states, including manual, semi-auto and auto. In auto state, water monitor system puts out the fire automatically; in manual state, it is necessary to control water monitor manually for fire extinguishing; in semi-auto state, water monitor can scan and target automatically, and the valve and pump are started after manual confirmation of fire alarm information.
- Provided with real-time clock, work record and information printing functions. The maximum number of records is 10000.
- Input and output module can be used to monitor various equipment states and control conditions.

Appearance Diagram

TZ-JKP03E central control device adopts vertical cabinet structure. The appearance diagram is as shown in Fig. 1-1. (unit: mm)

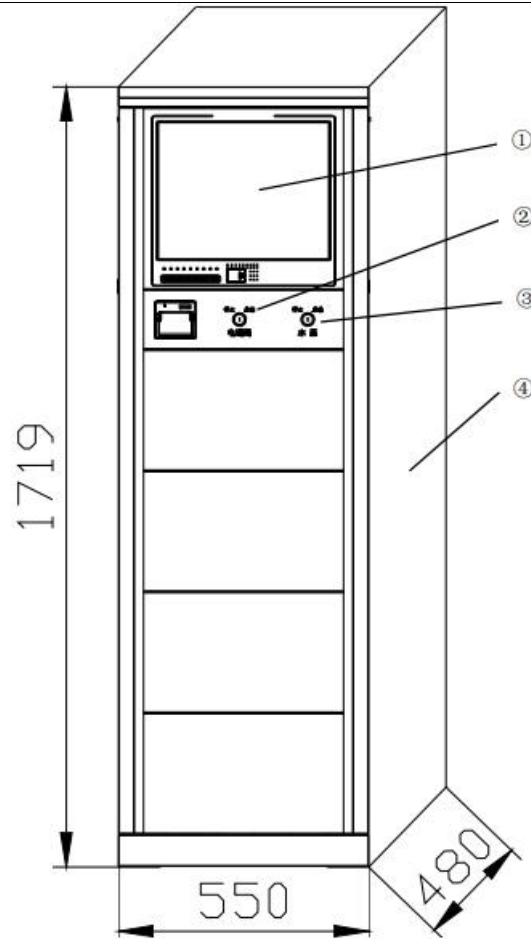


Fig. 1-1 TZ-JKP03E Central Control Device Appearance Structure Diagram

Diagram description:

① Main panel ② Solenoid valve power supply switch ③ Pump switch ④ Case

TZ-JKP04E central control device adopts single piano table type structure. The appearance structure diagram is as shown in Fig. 1-2. (unit: mm)

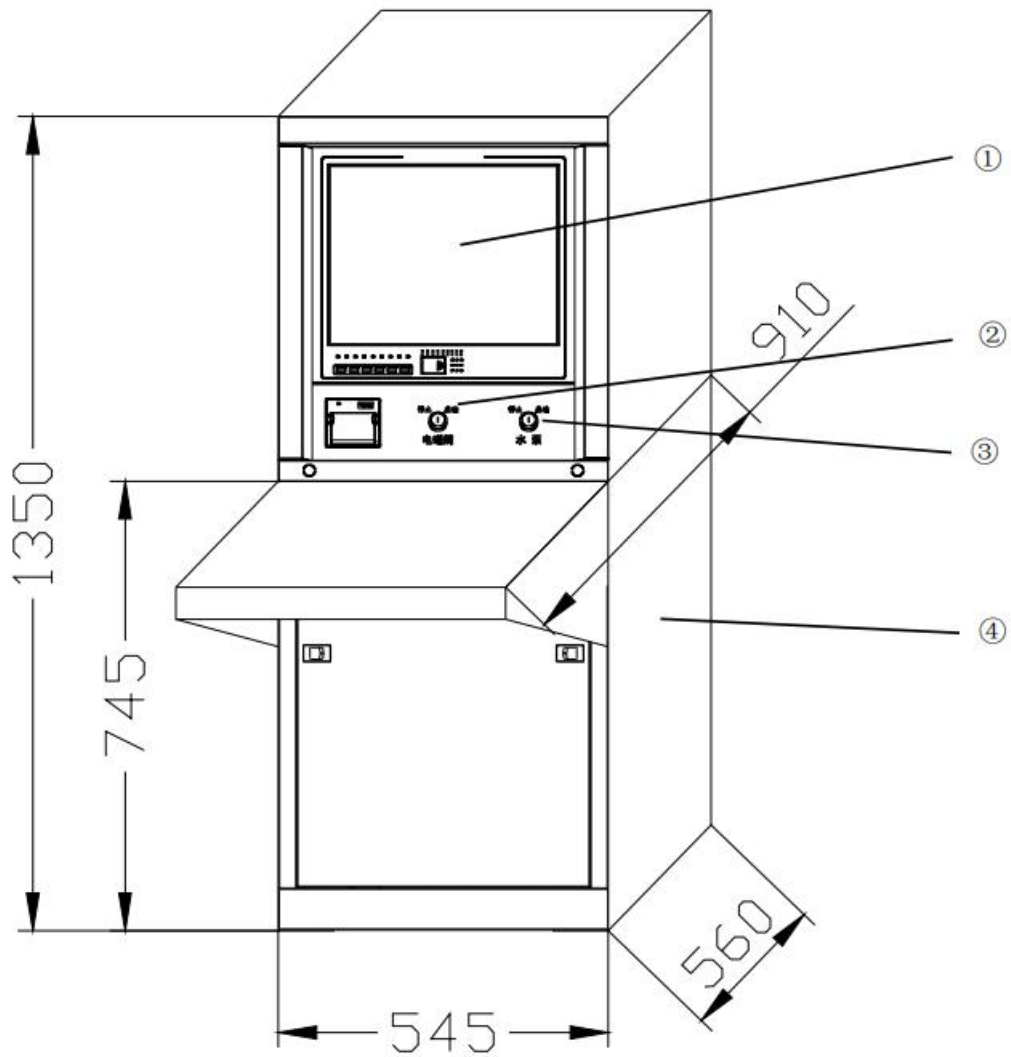


Fig. 1-2 TZ-JKP04E Central Control Device Appearance Structure Diagram

Diagram description:

① Main panel ② Solenoid valve power supply switch ③ Pump switch ④ Case

Technical Parameters

Table 1-1 Technical Parameters for Central Control Device

Type of central control device	TZ-JKP03E	TZ-JKP04E
Installation type	Vertical cabinet	Piano table
Outline dimension (mm)	550x480x1719	545x910x1350
Communication type	CAN(Communication with field control box)	
Main power supply	AC220V 50Hz	
Operating temperature	0~40C	
Relative humidity	≤95%RH non-condensation	
Standards	Auto Tracking and Targeting Water Cannon (GB 25204-2010)	